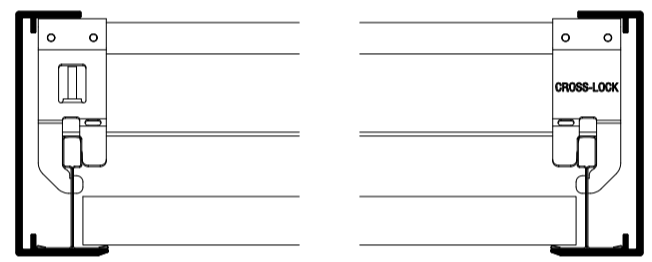
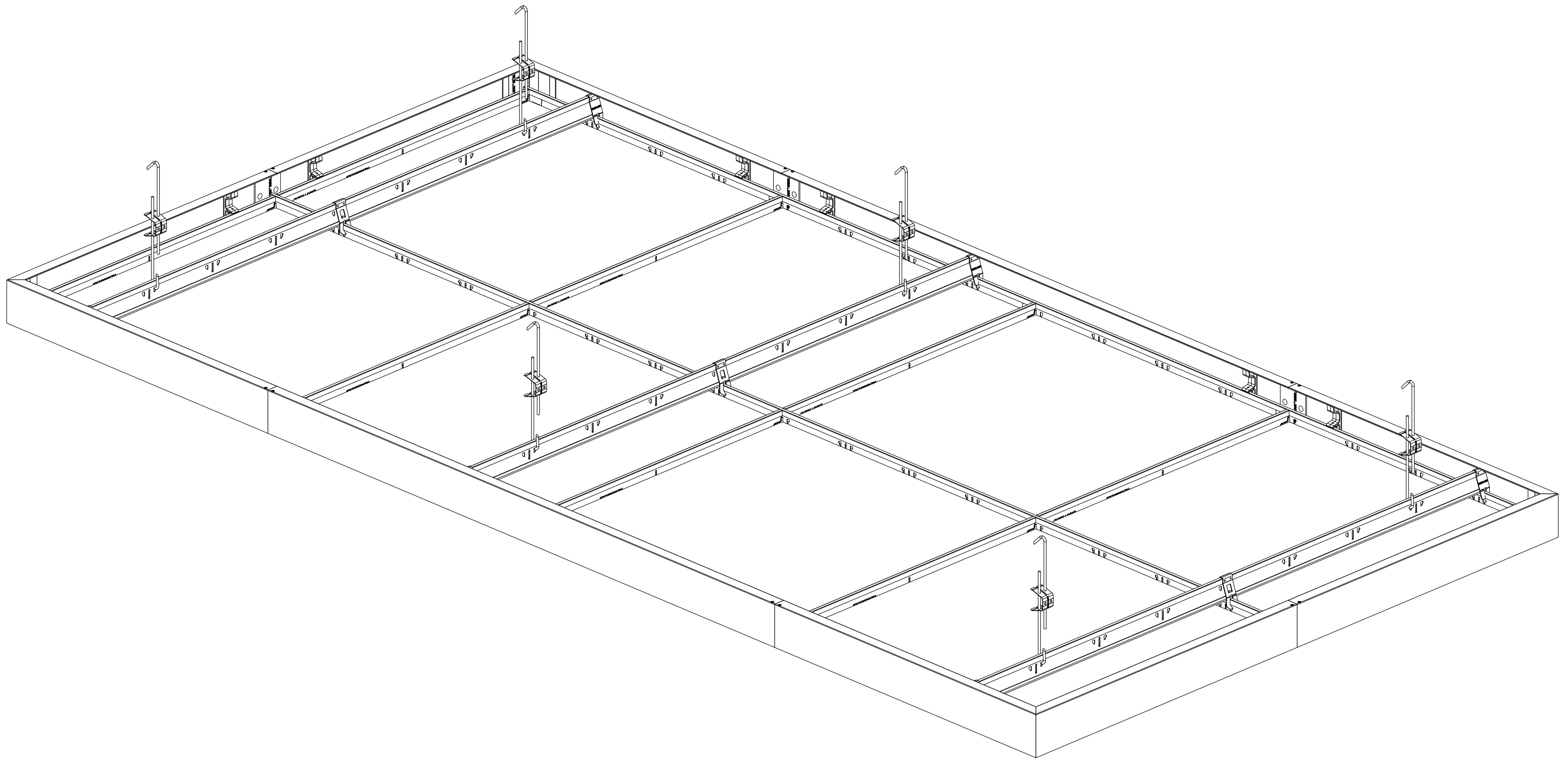
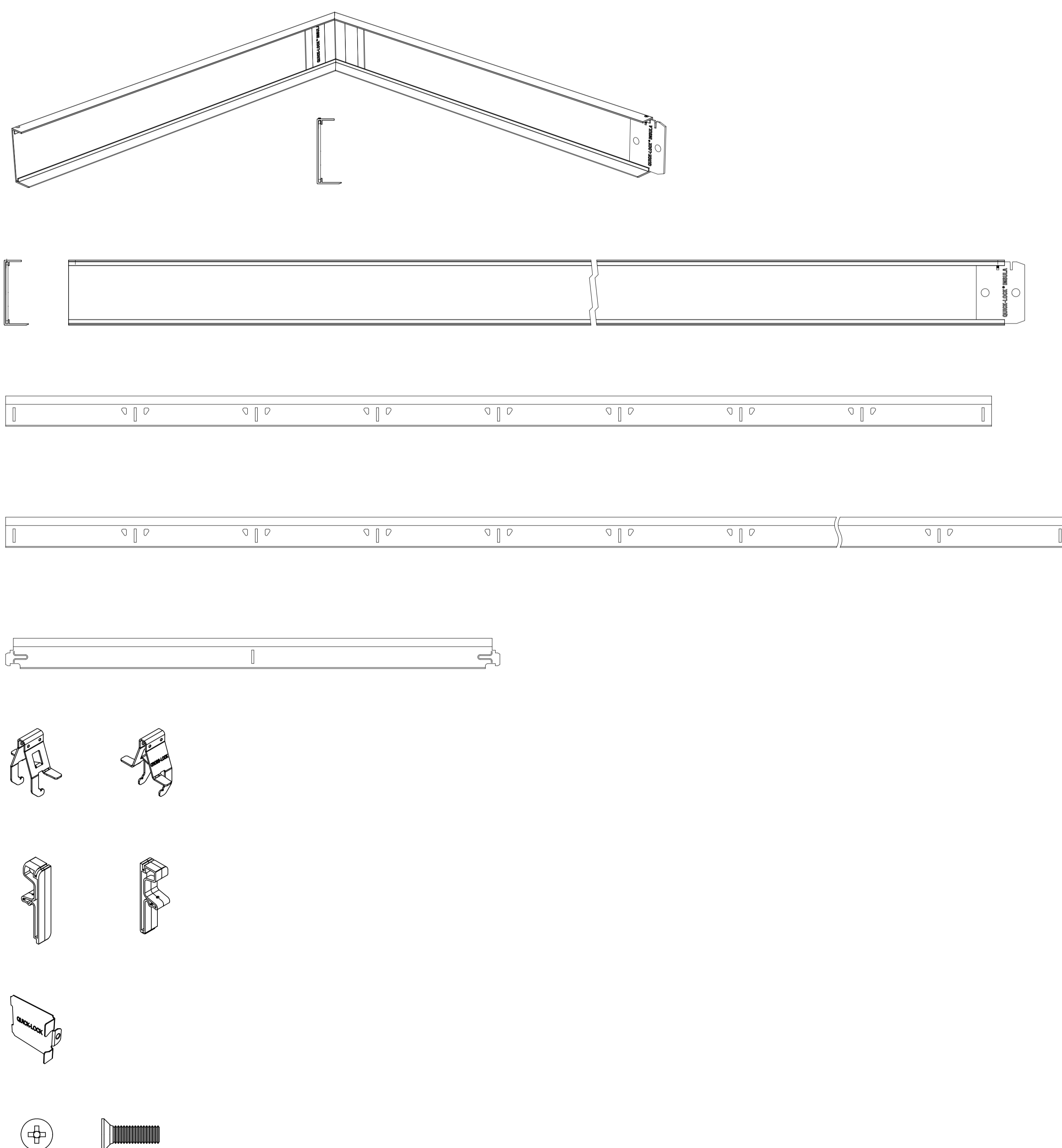




QUICK-LOCK®
Ceiling Systems



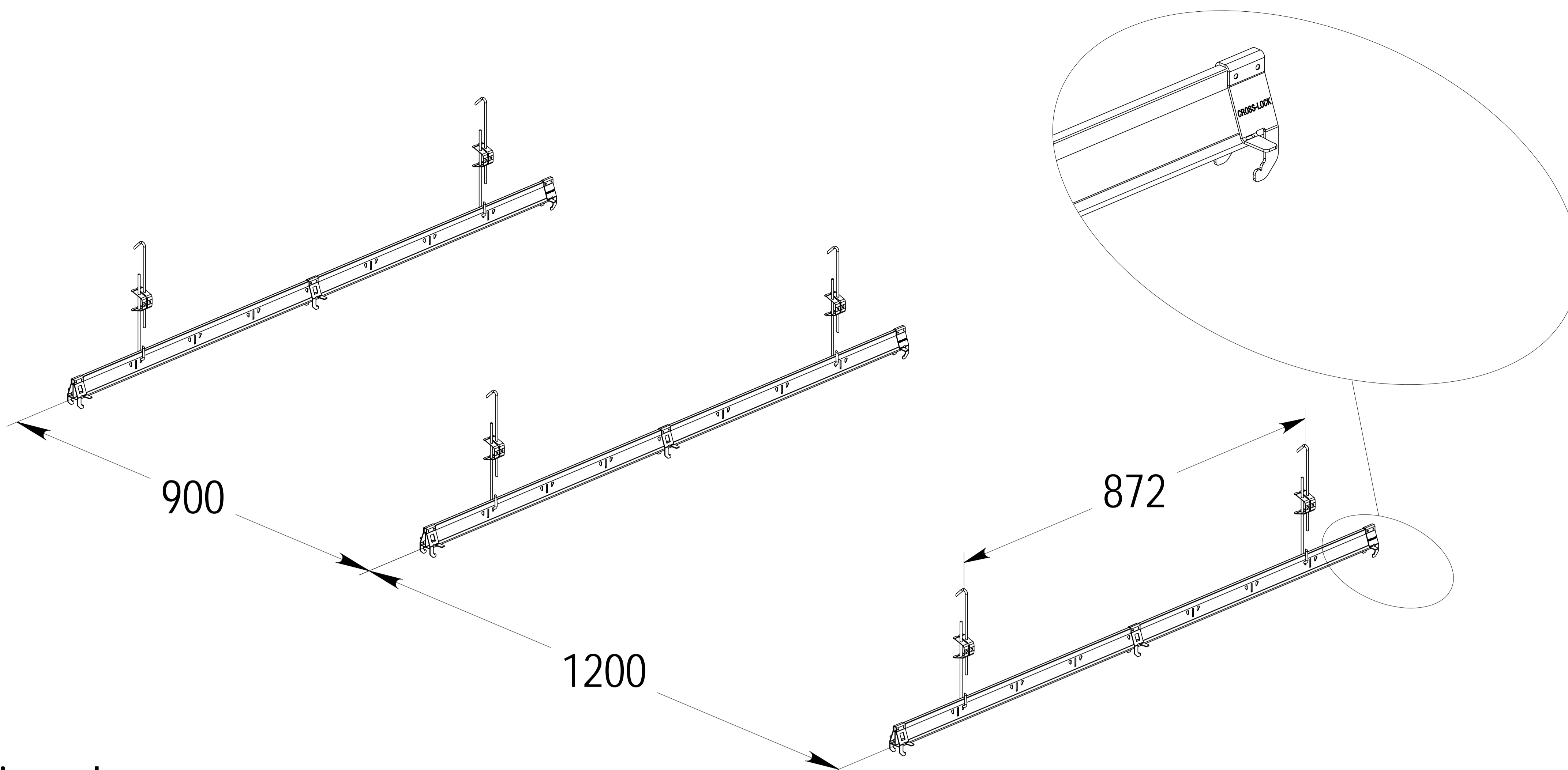
1.1 Insula 76A



Description	Dimensions mm	Quantity
Insula 76A Outside corner	600 x 600	4
Insula 76A Edge profile	1200	2
QL24/38 Primary beam, Unipro	1221	3
QL24/38 Secondary beam, Unipro	2421	3
QL24/38 Cross tee	600	10
Cross-Lock GS connector	/	9
*Insula edge clip	/	12
*Cross tee clip TS	/	10
*Cross recessed countersunk head screw Philips	M3x10	6

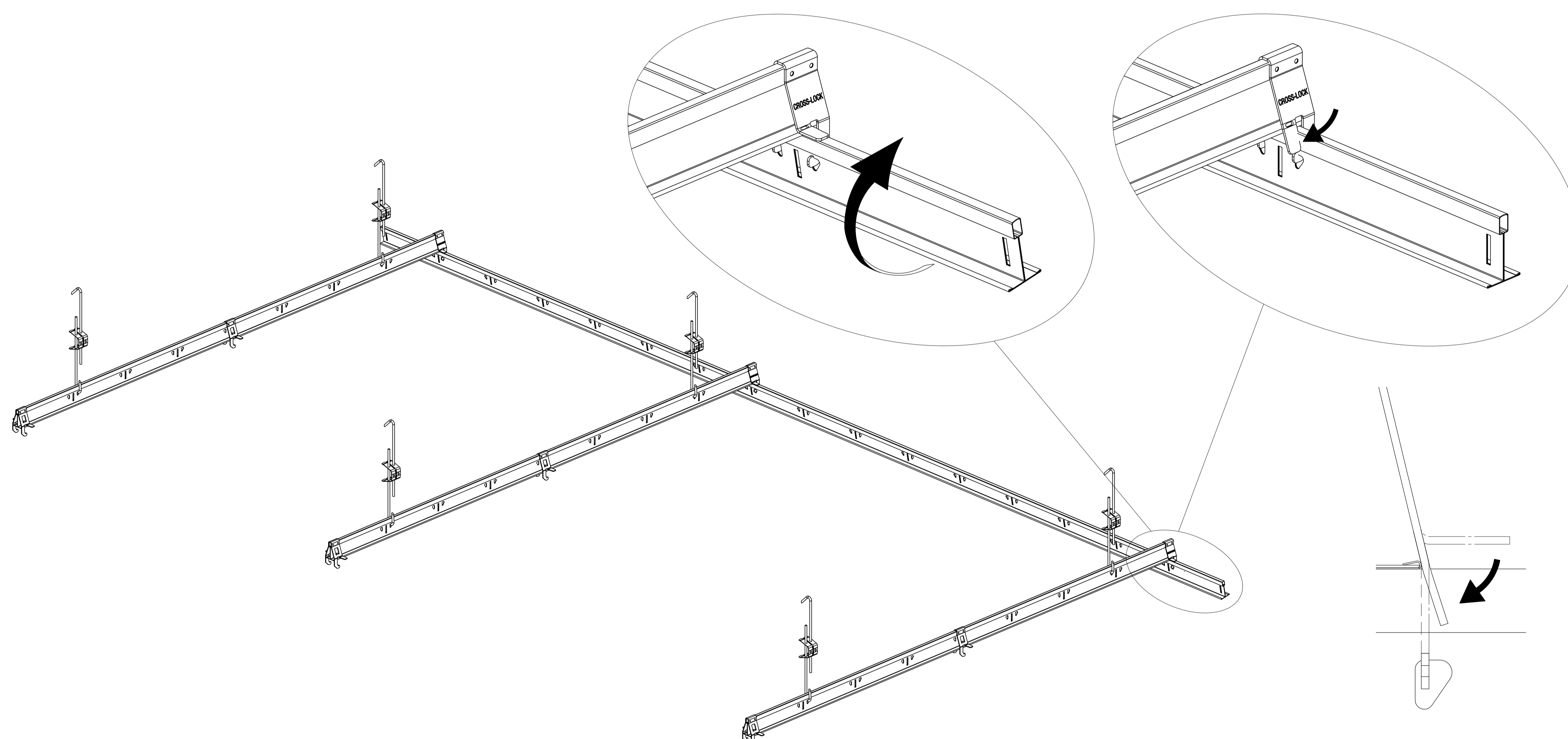
* In Insula accessory carton

2.1 Components: see catalogue for packaging qty's.



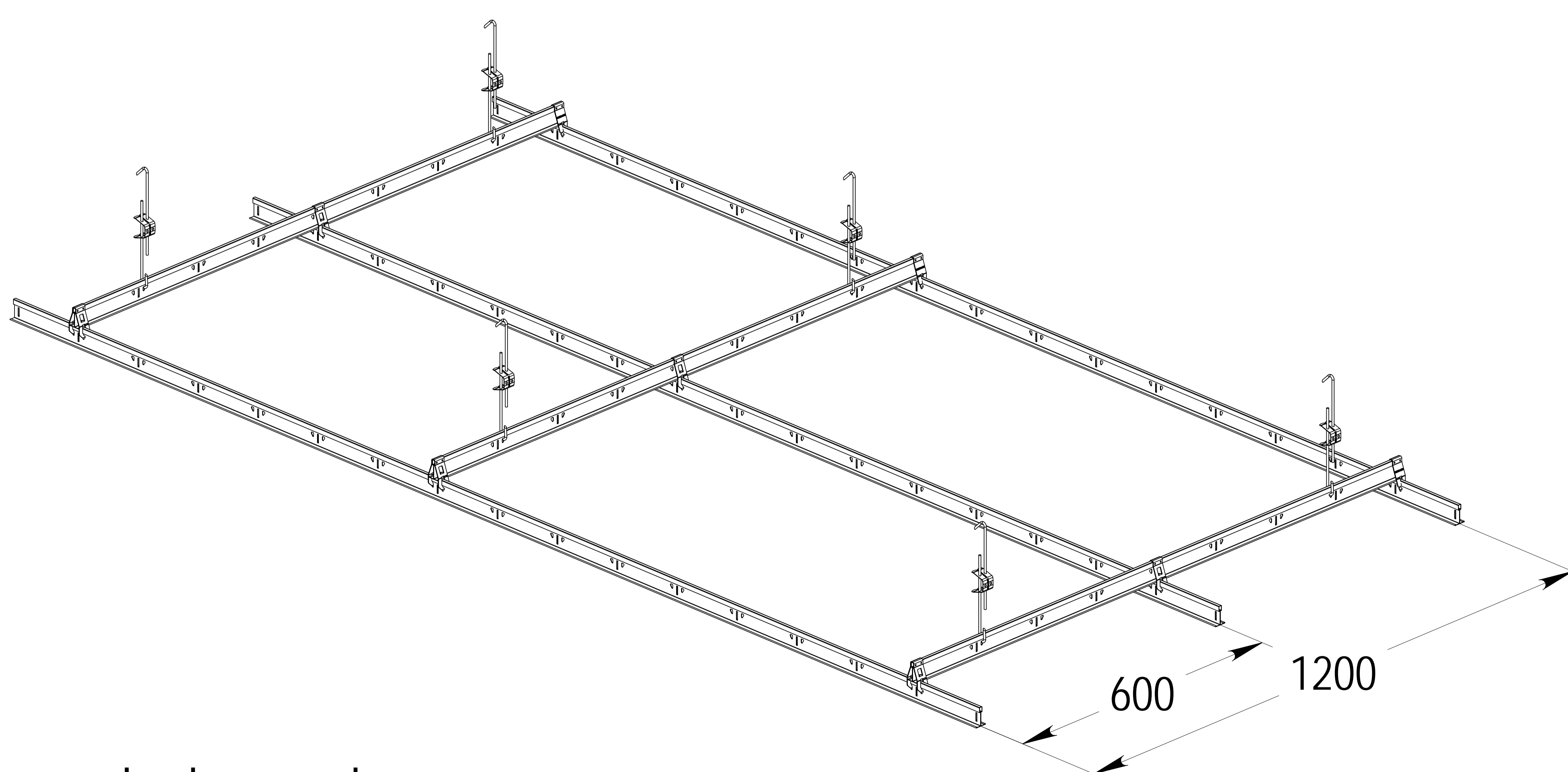
- 3.1 Suspend the primary beams (specified distance between profiles....mm).
- 3.2 Mount the Cross-Lock connectors to primary beams, positioning them at the slots.

3



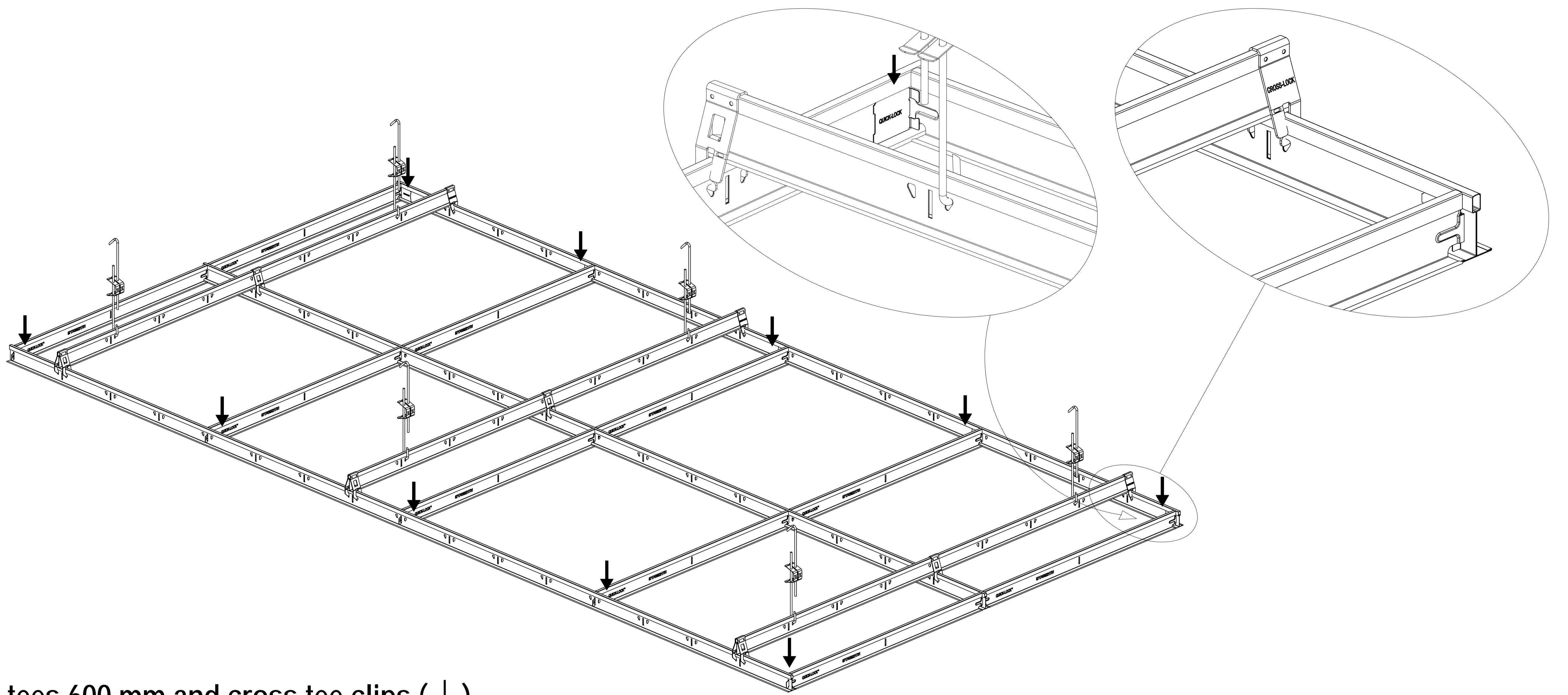
- 4.1 Mount first secondary beam and secure the Cross-Lock connection by bending the tabs as indicated.

4



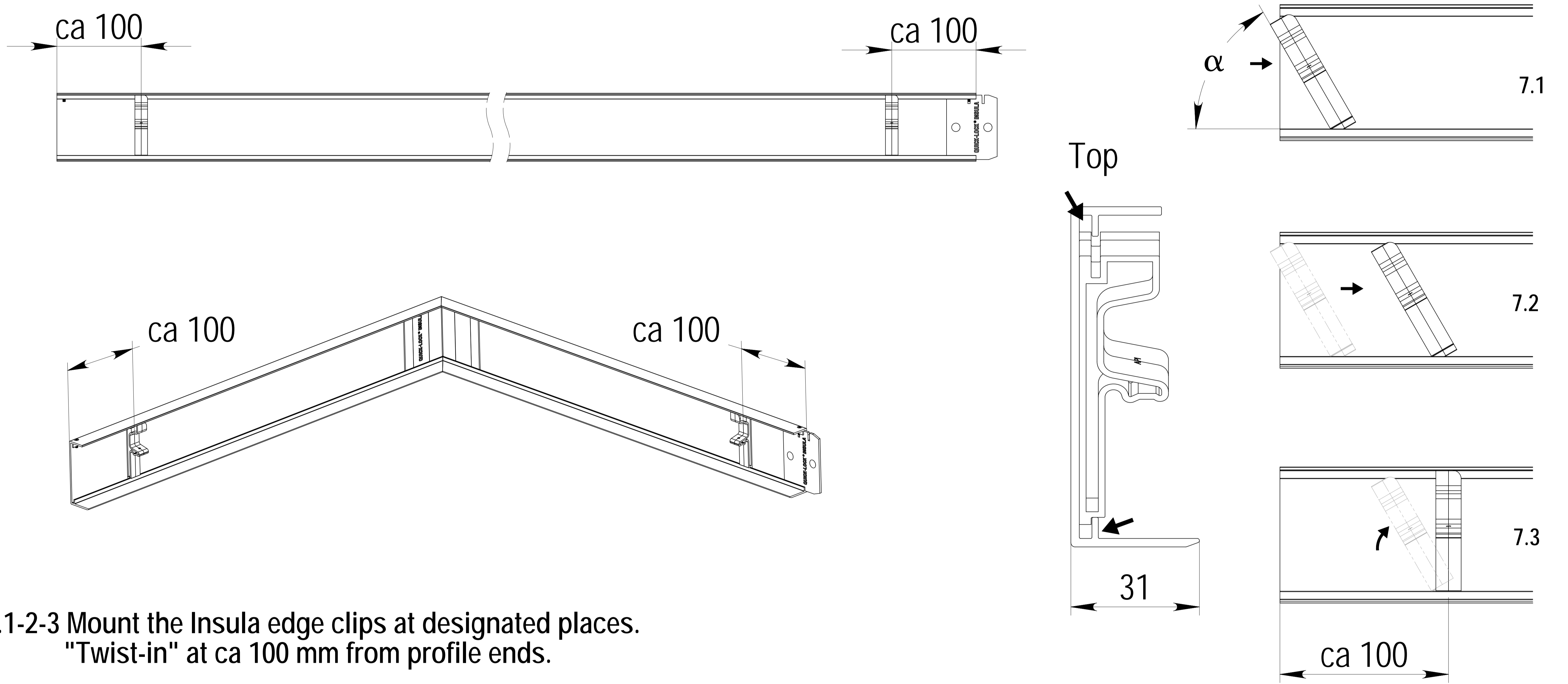
- 5.1 Mount the other secondary beams and secure the Cross-Lock connections by bending the tabs.

5



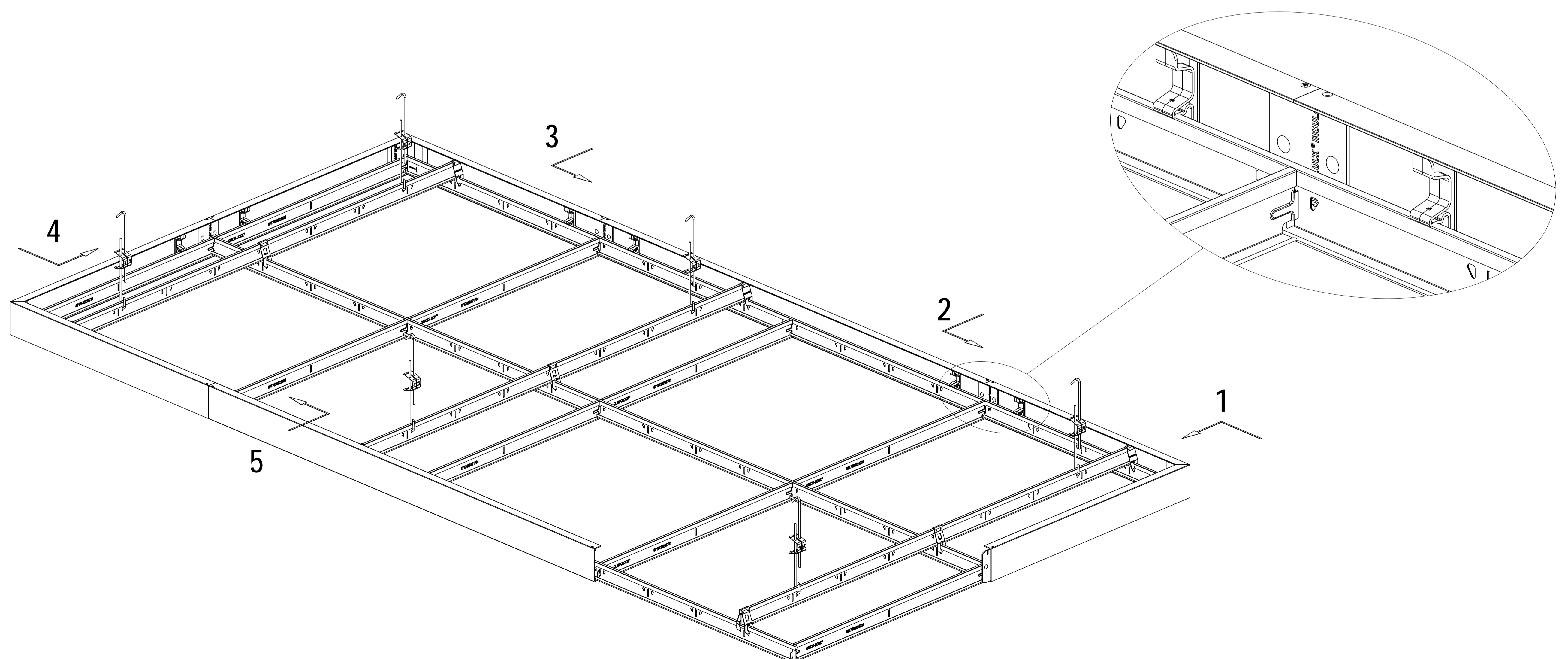
6.1 Mount cross tees 600 mm and cross tee clips (↓).

6



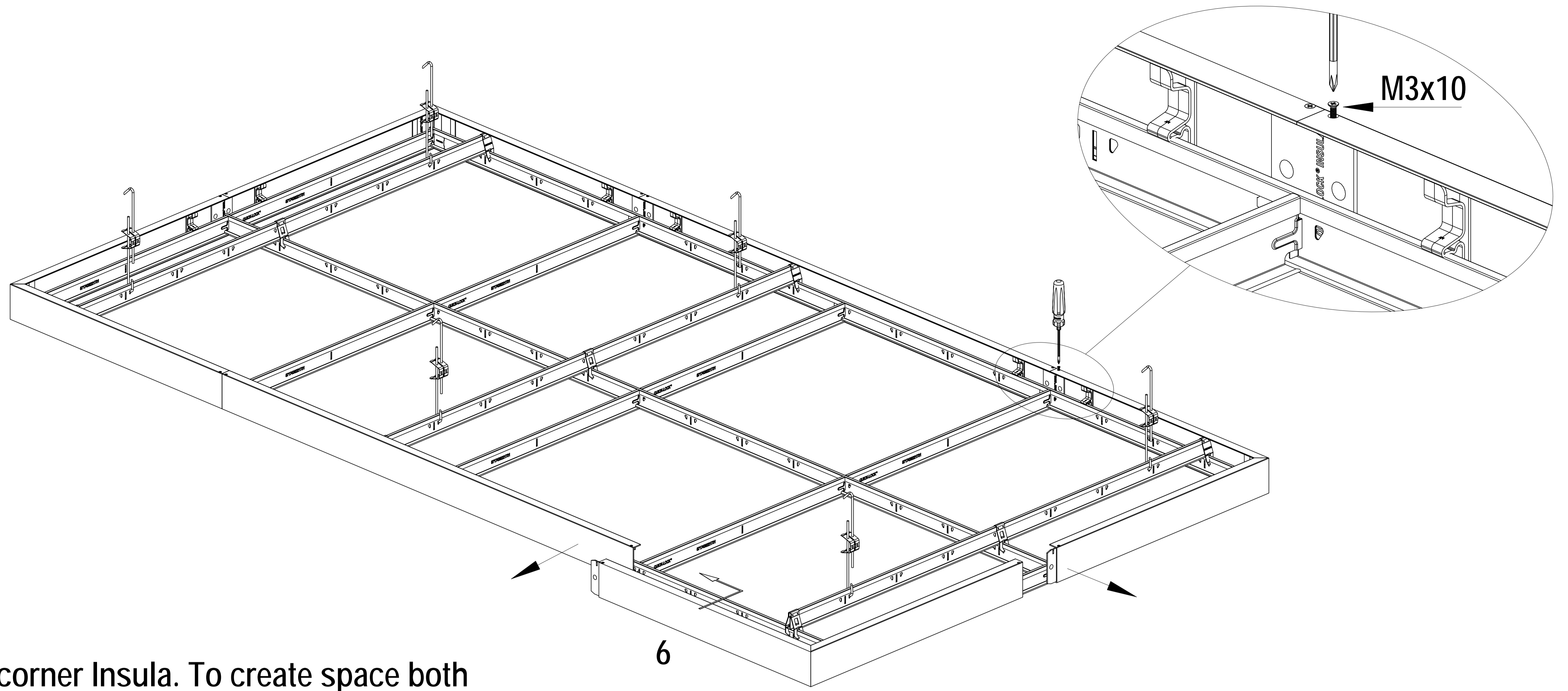
7.1-2-3 Mount the Insula edge clips at designated places.
"Twist-in" at ca 100 mm from profile ends.

7



8.1 Mount Insula corners and edge elements
in designated order and directions.

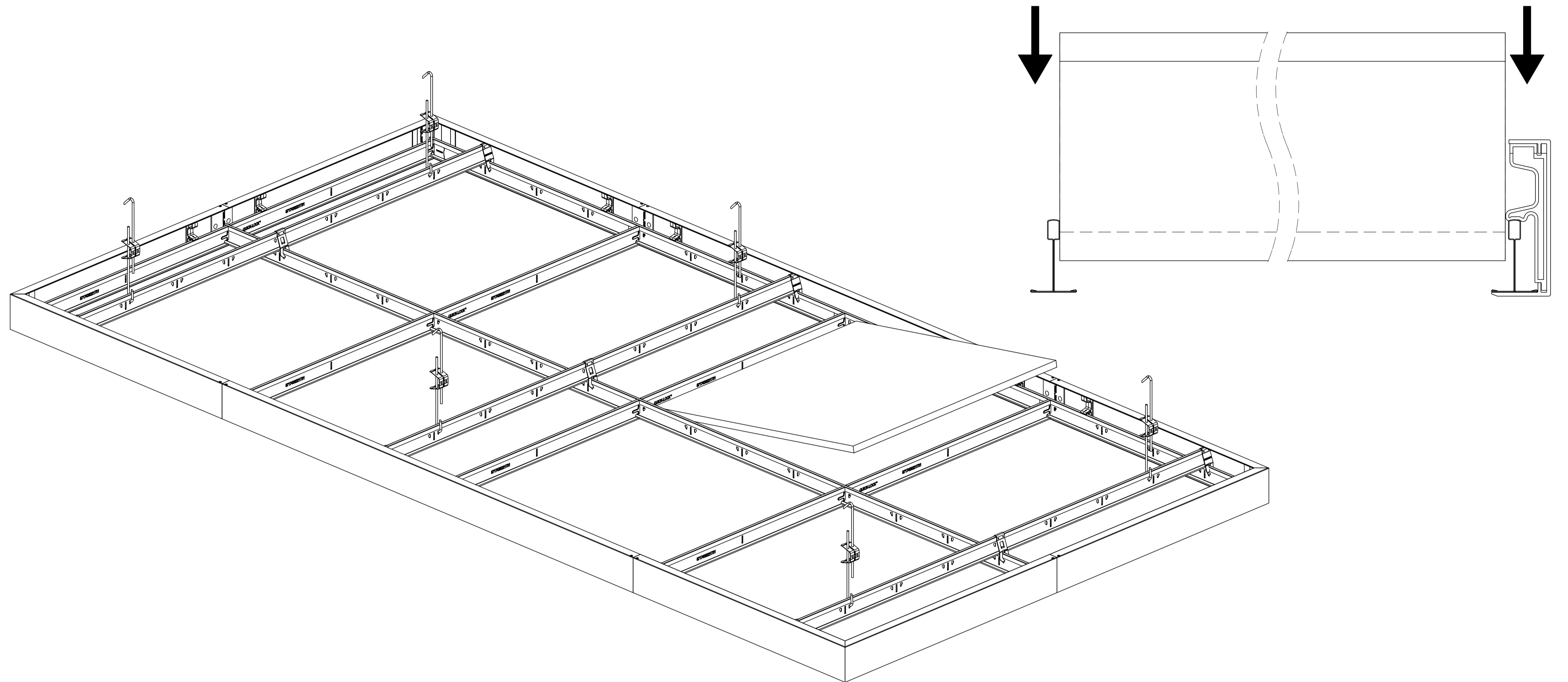
8



6

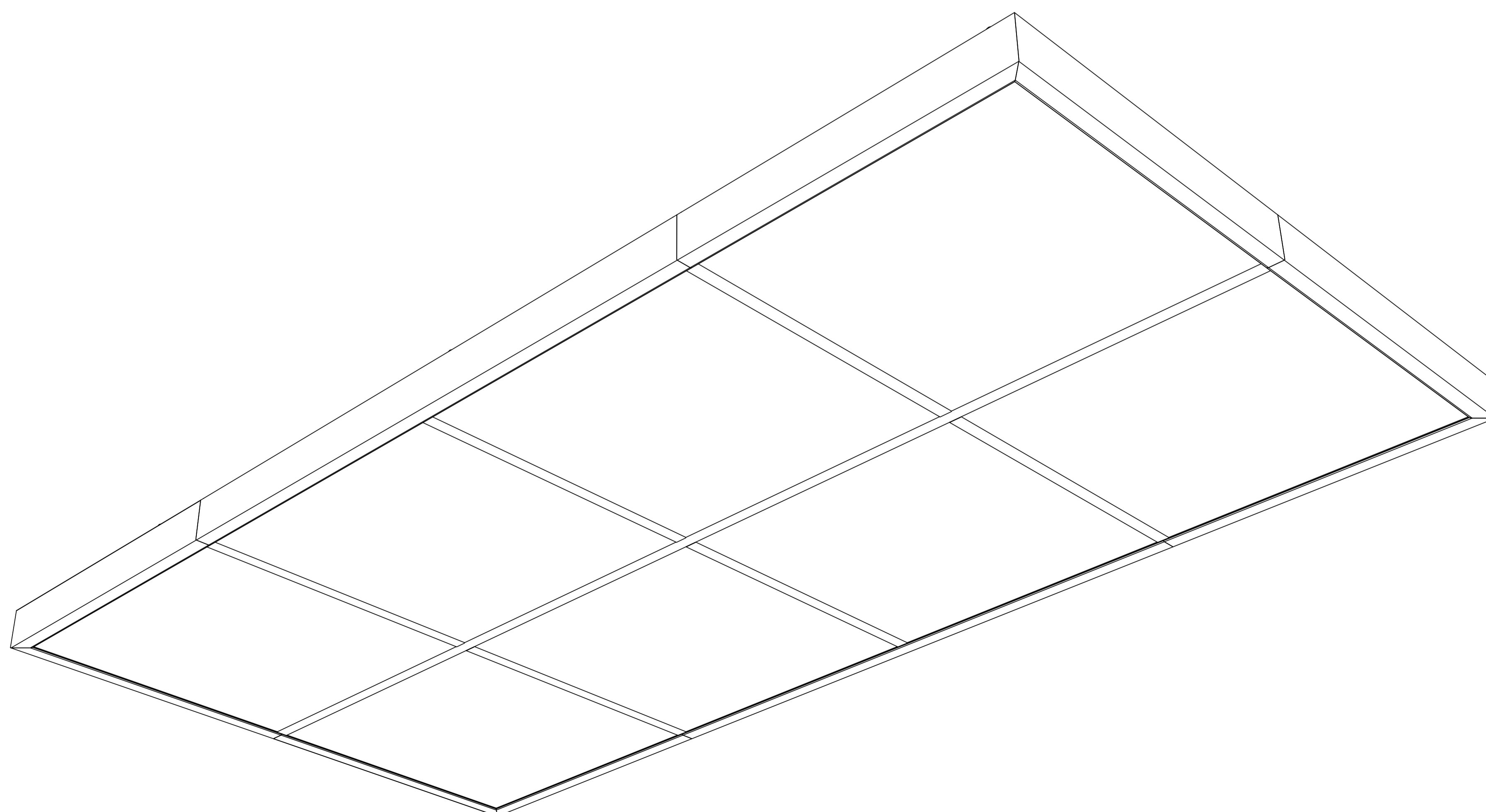
9.1 Mount the last corner Insula. To create space both adjoining parts should be moved outwards (ca 10 mm).
 9.2 Secure Insula edge profiles & corners connection with the M3x10 screws.

9



10.1 Install the ceiling panels.

10



11.1 Insula 76A, view from below.

11